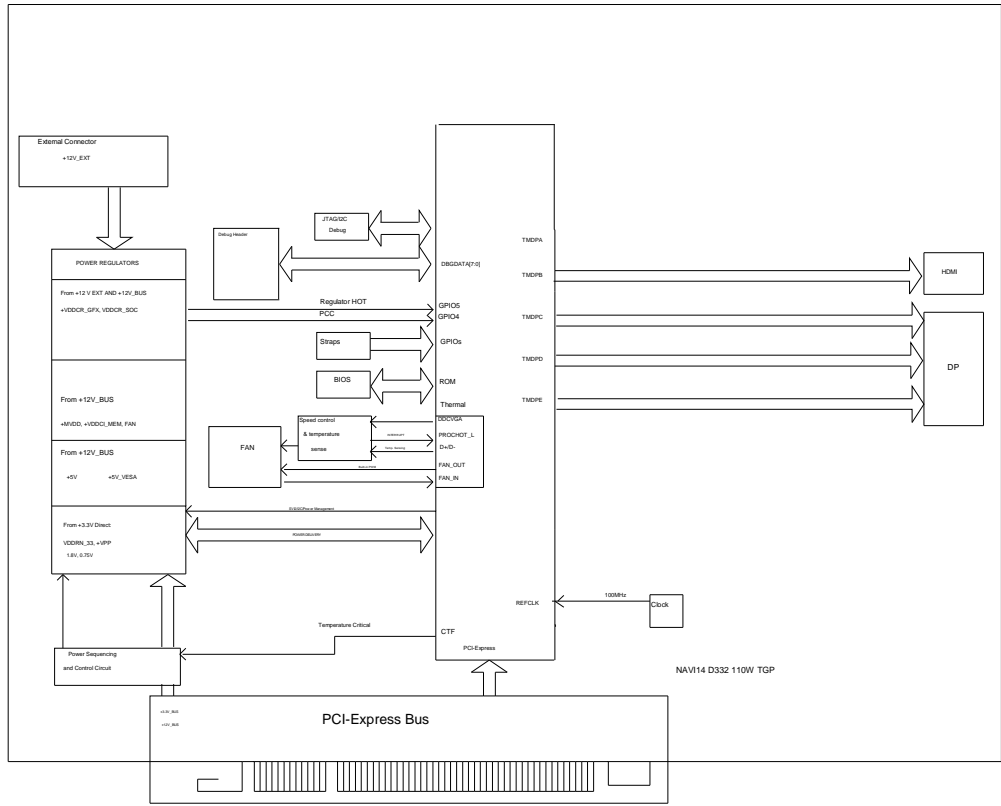
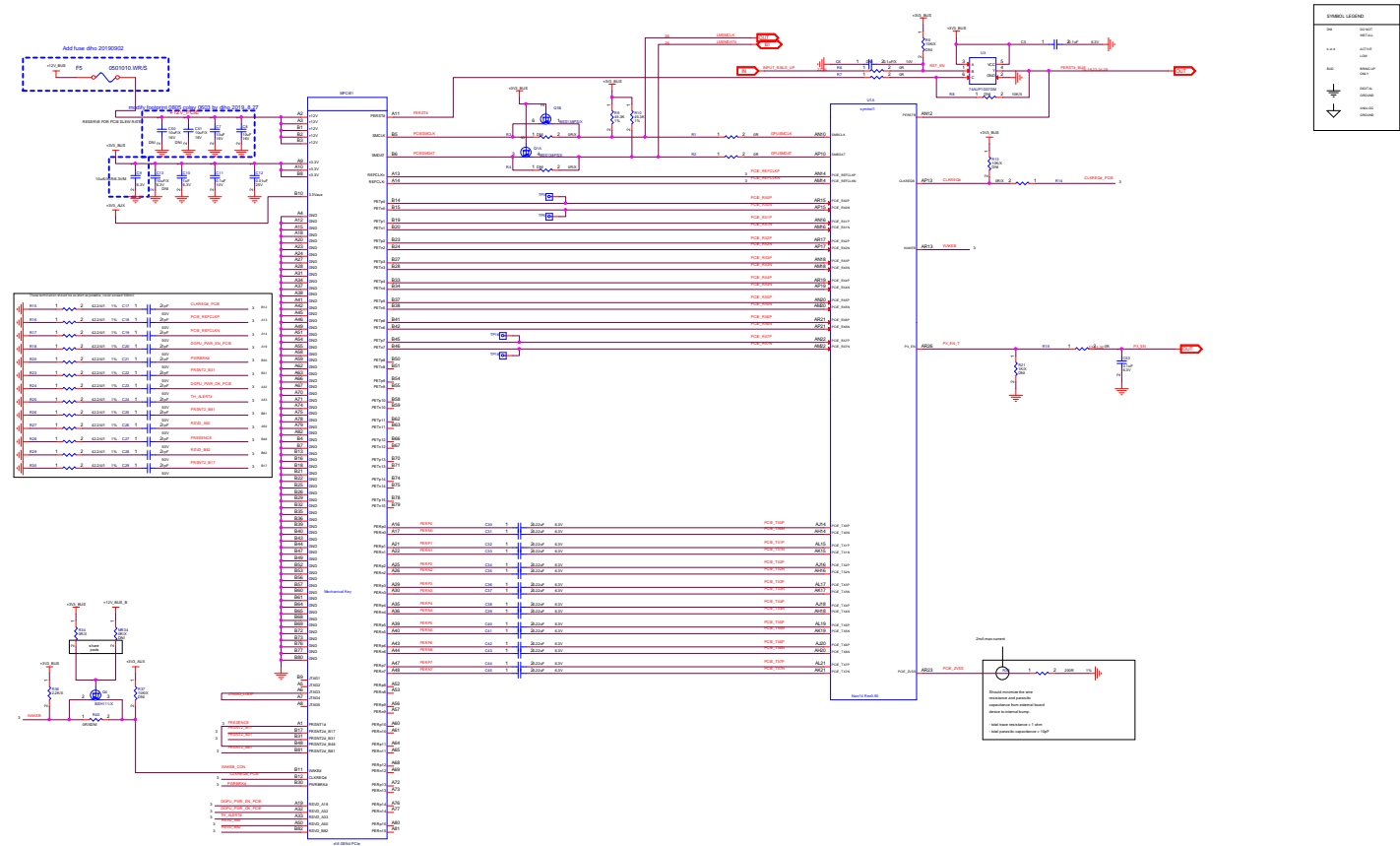


NAVI14 GDDR6 4PCS,10L 3xDPs +1xHDMI
 105-D332xx-00B RevB Desktop board(110W TGP)

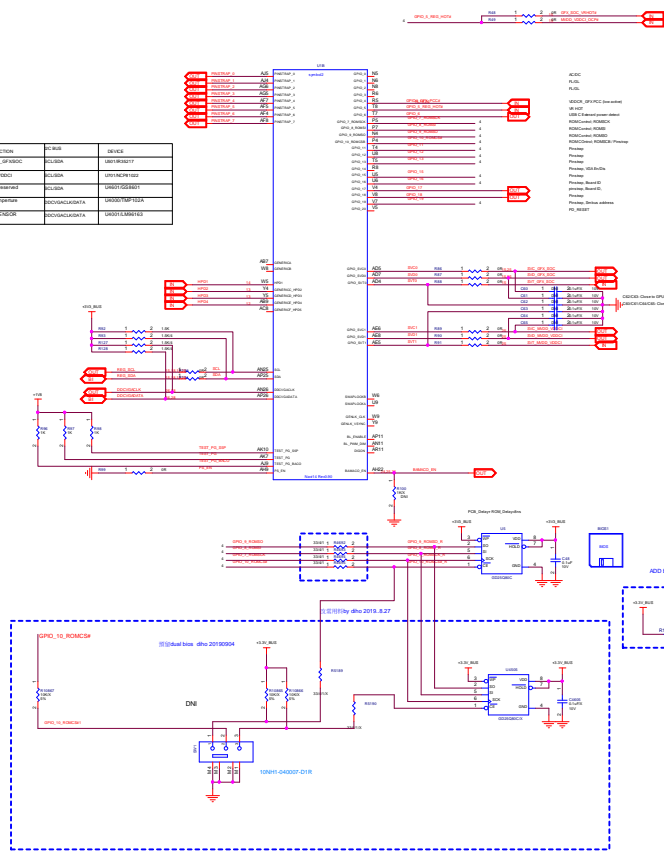
TABLE OF CONTENTS

SHEET NO.	SHEET NAME	SHEET NO.	SHEET NAME
1	TOC	26	DEBUG CIRCUITS
2	BLOCK DIAGRAM	27	REVISION HISTORY
3	NAVI14 PCB Interface		
4	NAVI14 GPIO EXTRA		
5	NAVI14 XTAL		
6	NAVI14 POWER and GND		
7	NAVI14 - Signals		
8	NAVI14 - MEM CH AB		
9	NAVI14 - MEM CH CD		
10	GDDR6 x16 - MEM CH AB		
11	GDDR6 x16 - MEM CH CD		
12	NAVI14 - TMDFAB - USB_HDMI		
13	NAVI14 - TMDFAB - DP/DP		
14	NAVI14 - TMDFAB - DP		
15	REG VDDGFX/SDC CNTL		
16	REG VDDGFX		
17	REG VDDSDC		
18	REG PCC		
19	REG VDDCMVDD CNTL		
20	REG VDDCMVDD		
21	REG - DVFS		
22	LOAD TRIP/PP5V0V_VESA		
23	MECHANICAL AND THERMAL		
24	POWER MANAGEMENT		
25	BVD		



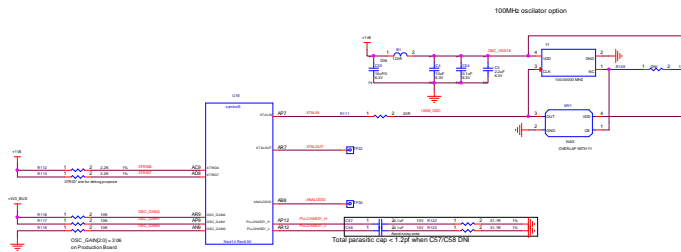


Device	Pin	Function	Driver	Device
GPIO	GPIO0	GPIO0	GPIO	GPIO0
GPIO	GPIO1	GPIO1	GPIO	GPIO1
GPIO	GPIO2	GPIO2	GPIO	GPIO2
GPIO	GPIO3	GPIO3	GPIO	GPIO3
GPIO	GPIO4	GPIO4	GPIO	GPIO4
GPIO	GPIO5	GPIO5	GPIO	GPIO5
GPIO	GPIO6	GPIO6	GPIO	GPIO6
GPIO	GPIO7	GPIO7	GPIO	GPIO7
GPIO	GPIO8	GPIO8	GPIO	GPIO8
GPIO	GPIO9	GPIO9	GPIO	GPIO9
GPIO	GPIO10	GPIO10	GPIO	GPIO10
GPIO	GPIO11	GPIO11	GPIO	GPIO11
GPIO	GPIO12	GPIO12	GPIO	GPIO12
GPIO	GPIO13	GPIO13	GPIO	GPIO13
GPIO	GPIO14	GPIO14	GPIO	GPIO14
GPIO	GPIO15	GPIO15	GPIO	GPIO15
GPIO	GPIO16	GPIO16	GPIO	GPIO16
GPIO	GPIO17	GPIO17	GPIO	GPIO17
GPIO	GPIO18	GPIO18	GPIO	GPIO18
GPIO	GPIO19	GPIO19	GPIO	GPIO19
GPIO	GPIO20	GPIO20	GPIO	GPIO20
GPIO	GPIO21	GPIO21	GPIO	GPIO21
GPIO	GPIO22	GPIO22	GPIO	GPIO22
GPIO	GPIO23	GPIO23	GPIO	GPIO23
GPIO	GPIO24	GPIO24	GPIO	GPIO24
GPIO	GPIO25	GPIO25	GPIO	GPIO25
GPIO	GPIO26	GPIO26	GPIO	GPIO26
GPIO	GPIO27	GPIO27	GPIO	GPIO27
GPIO	GPIO28	GPIO28	GPIO	GPIO28
GPIO	GPIO29	GPIO29	GPIO	GPIO29
GPIO	GPIO30	GPIO30	GPIO	GPIO30
GPIO	GPIO31	GPIO31	GPIO	GPIO31

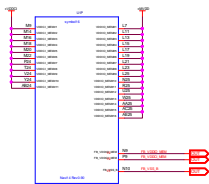
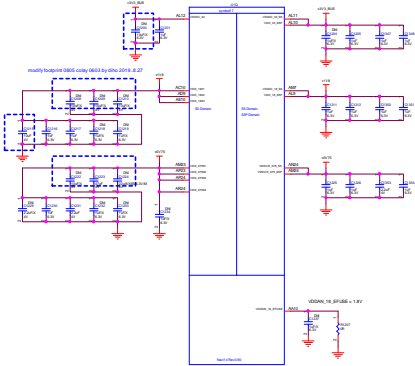
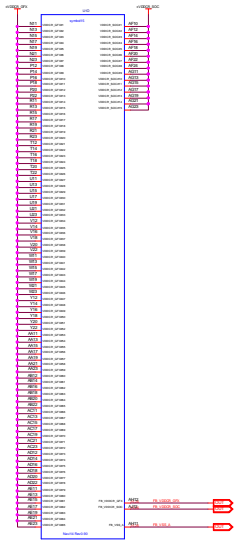
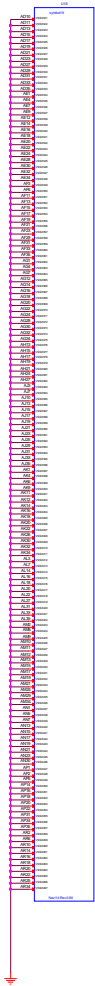


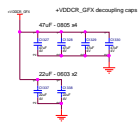
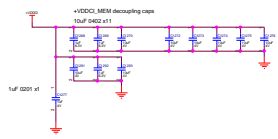
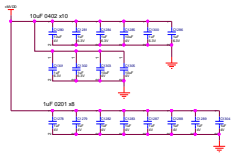
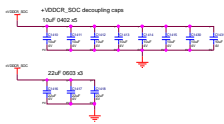
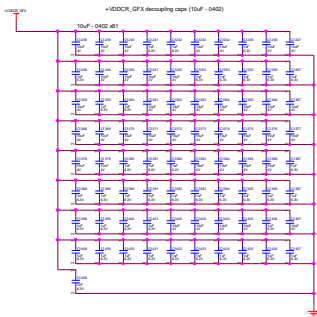
Note: Internal PullUp or GPIO pad is 40k strength in 1-ohm design type.

User	Internal Default Value	Definition
BIF	0	STRAP_BIF_GEM_DIS_A 0: BIF GEM is enabled 1: BIF GEM is not supported
	0	PINSTRAP_BIF_CLK_PM_EN 0: BIF/PM is supported 1: BIF/PM is not supported
	0	PINSTRAP_BIF_LC_TX_SWING 0: BIF/PM is supported 1: BIF/PM is not supported
	0	PINSTRAP_BIF_VGA_DIS 0: BIF/PM is supported 1: BIF/PM is not supported
DCE	0	PINSTRAP_AUD_PORT_CONFIG[0] Number of audio-capable display outputs 0: 0 audio-capable outputs 1: 1 audio-capable output 2: 2 audio-capable outputs 3: 3 audio-capable outputs 4: 4 audio-capable outputs
	0	PINSTRAP_AUD1[0] 1: Audio is supported 0: Audio is not supported
	0	PINSTRAP_FIQ1[0] - No definition on NV 1: BIF/PM is supported 0: BIF/PM is not supported
	0	PINSTRAP_MVDD_FB_DIVIDER_CONFIG 0: BIF/PM is supported 1: BIF/PM is not supported
SHU	1	PINSTRAP_BIF_MEM_AP_SIZE[0] Or PINSTRAP_ROM_CONFIG[0] 0: BIF/PM is supported 1: BIF/PM is not supported
	0	PINSTRAP_SMBUS_ADDR 0: BIF/PM is supported 1: BIF/PM is not supported
	1	PINSTRAP_BIOS_ROM_EN 0: BIF/PM is supported 1: BIF/PM is not supported
	1	GPIO_14_ROMEN

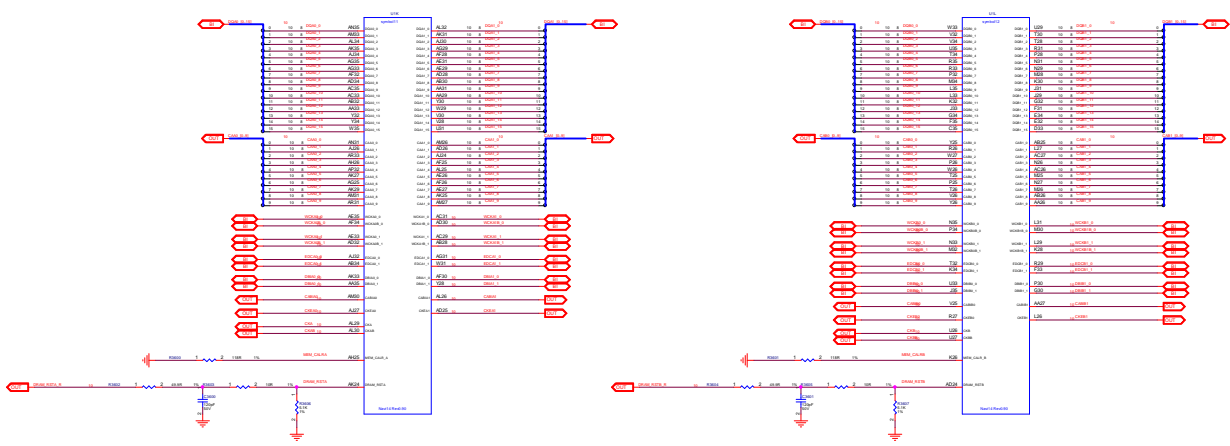


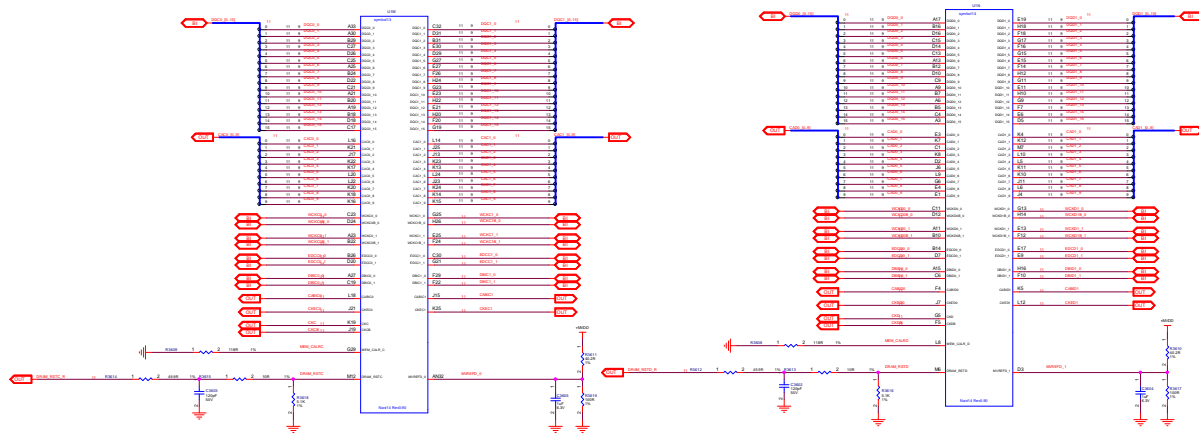
(S) MAIN4 POWER AND GND

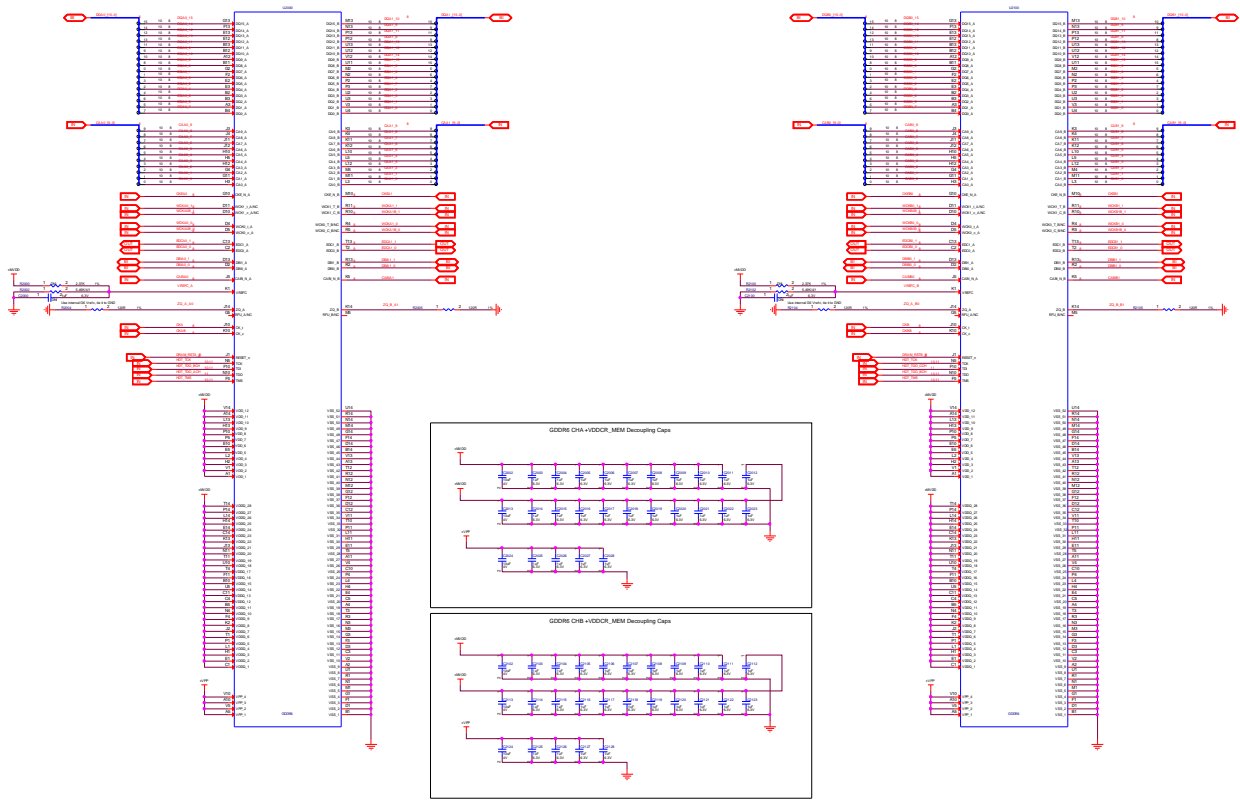


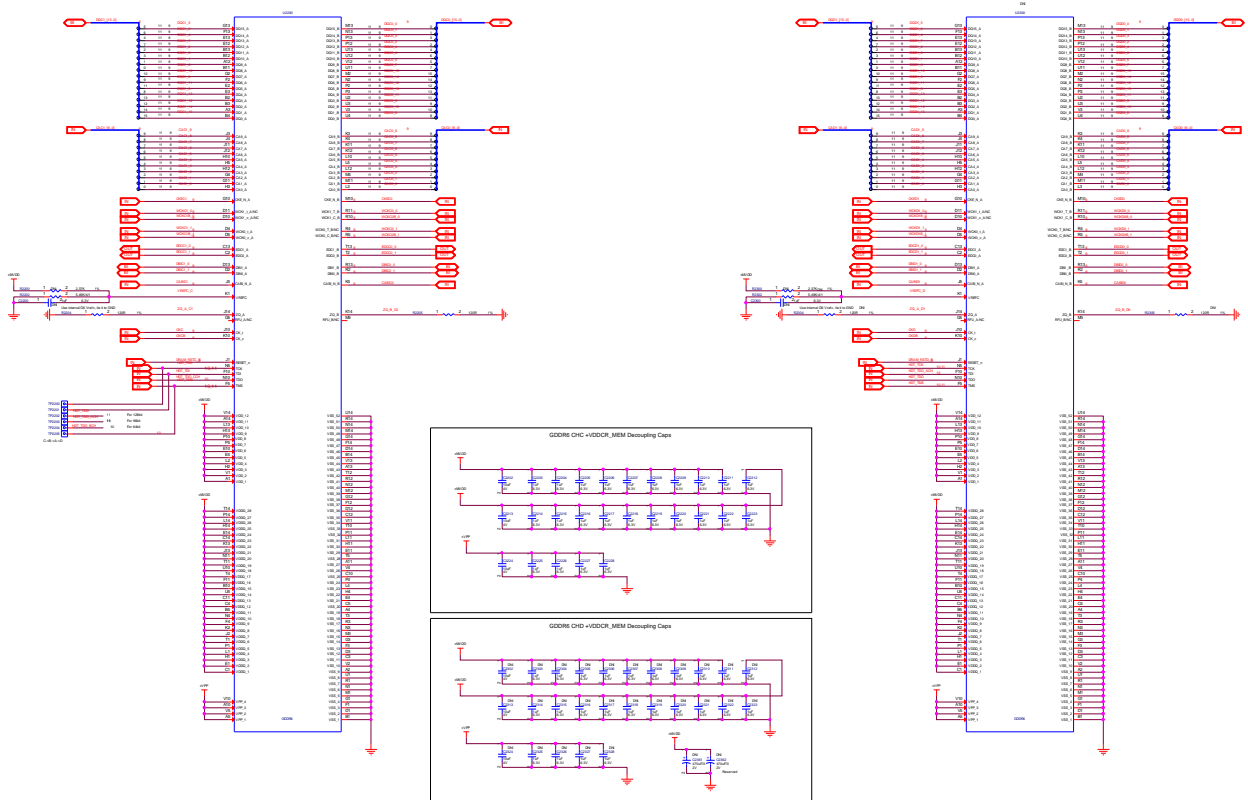


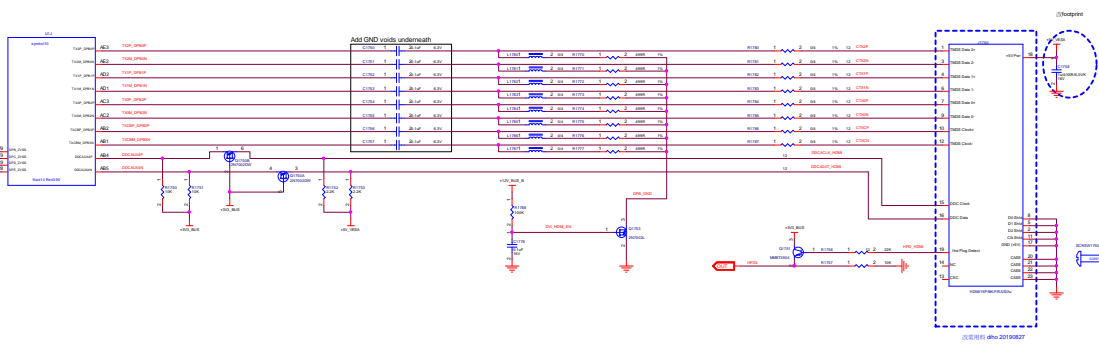
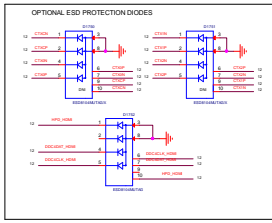
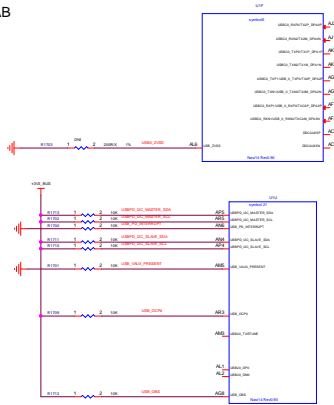
(8) NAVI14 MEM INTERFACE CH A/B

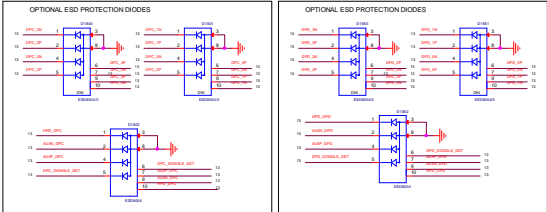
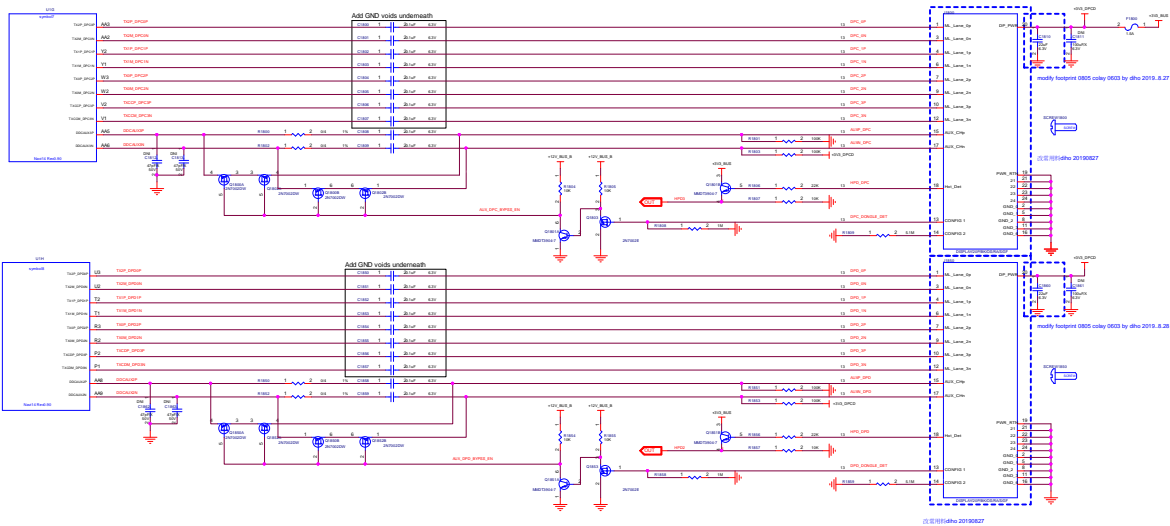


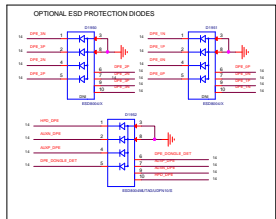
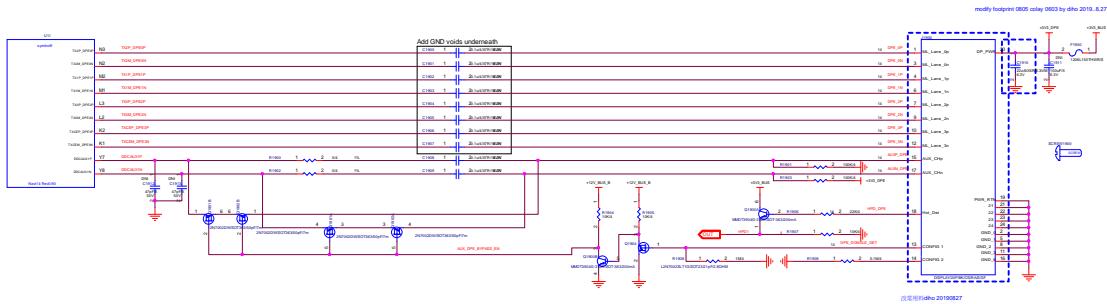






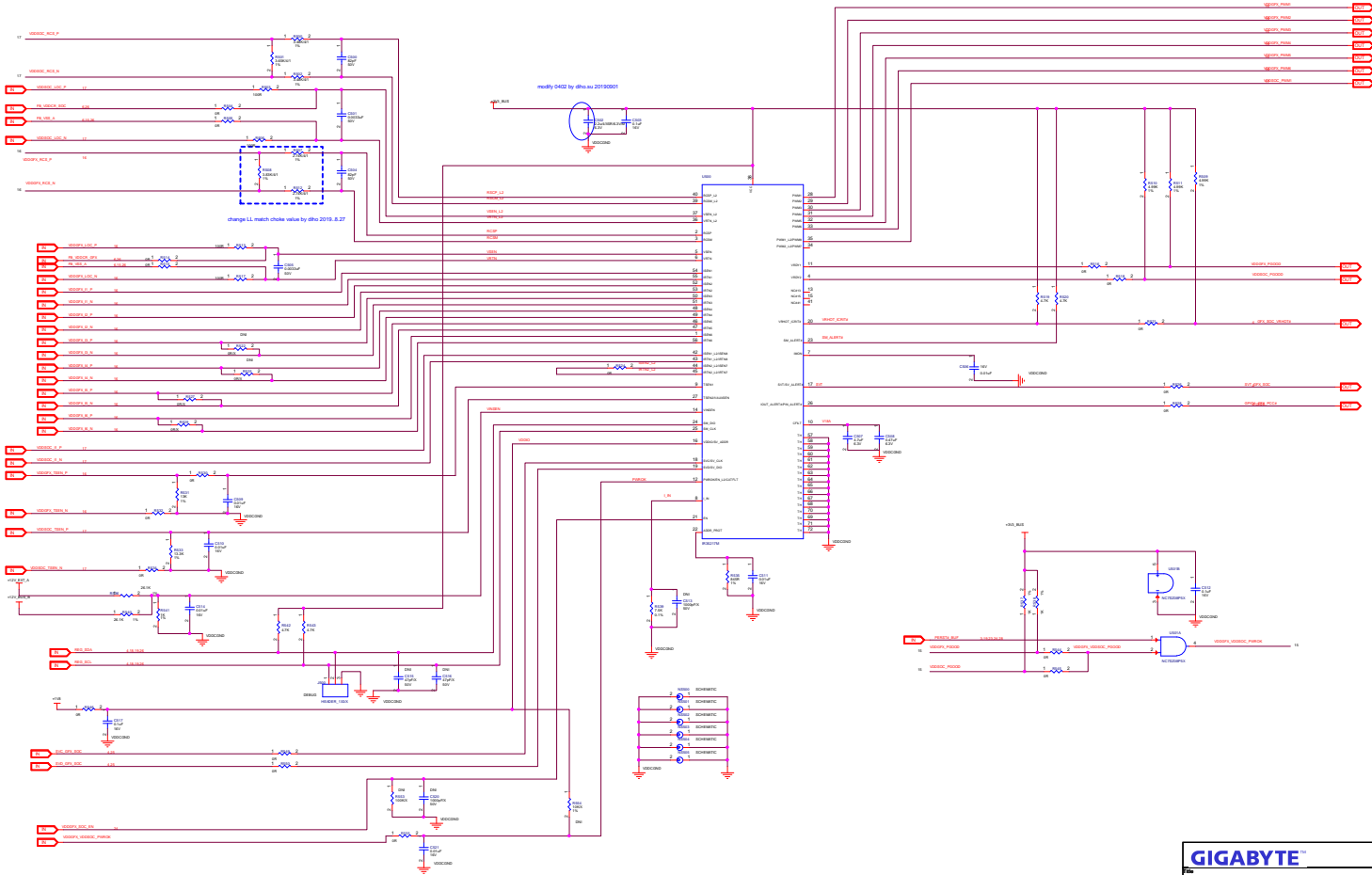




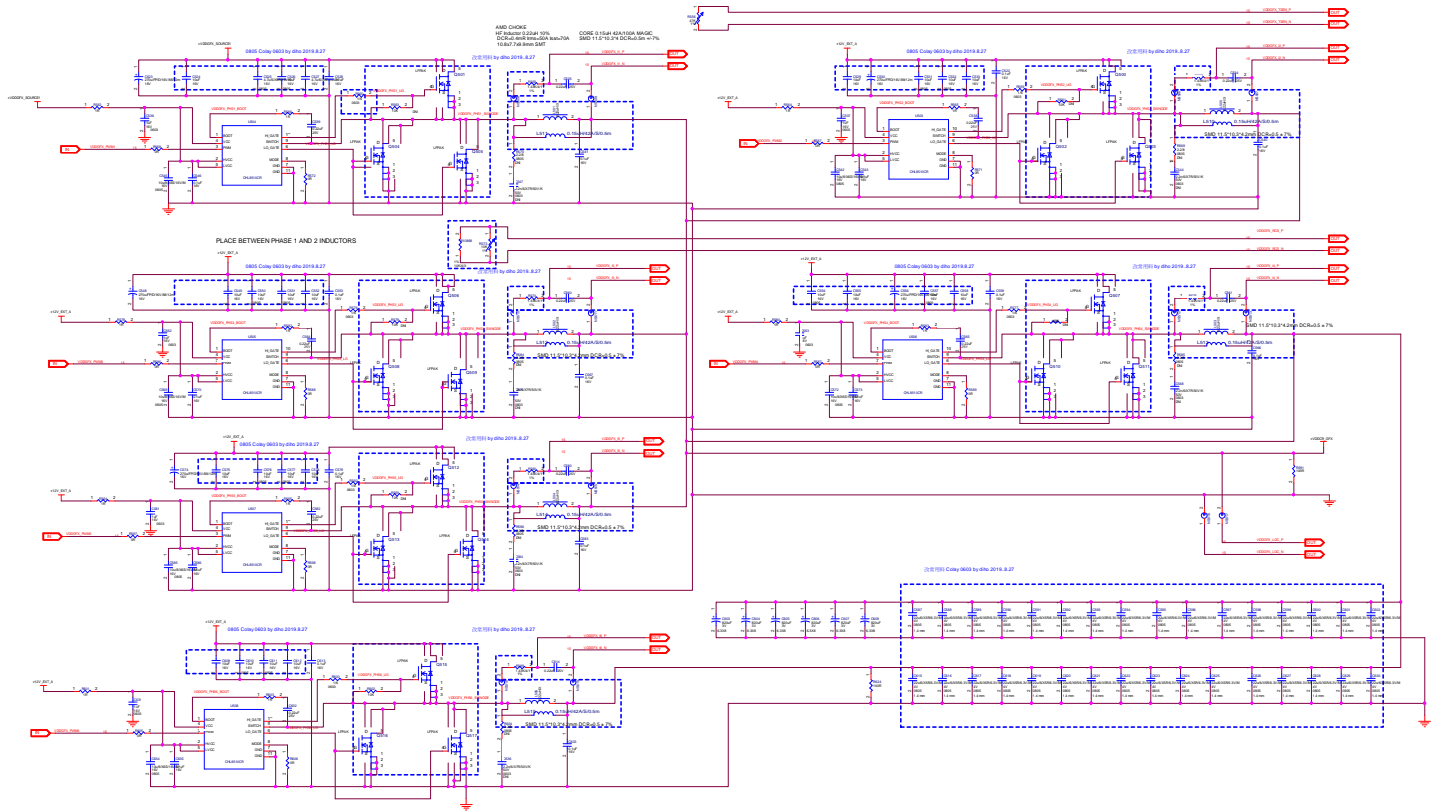


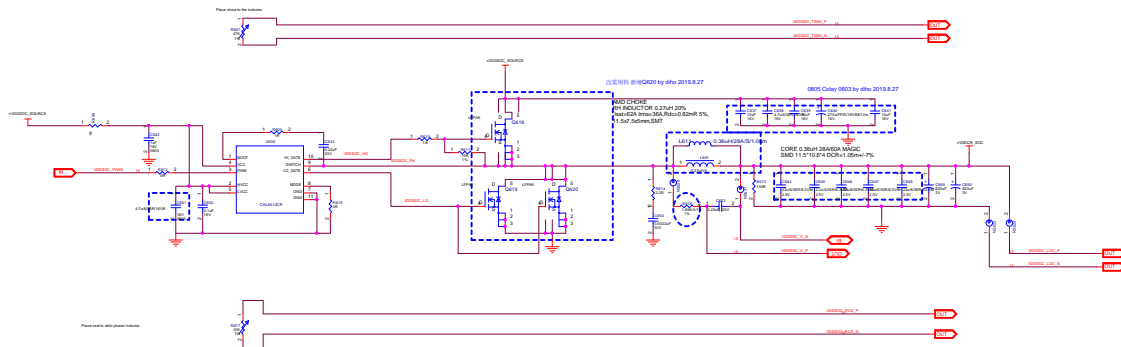
Stuff DP by diho 2019. 8.27

REG - VDDGX/VDDSOC CTRL

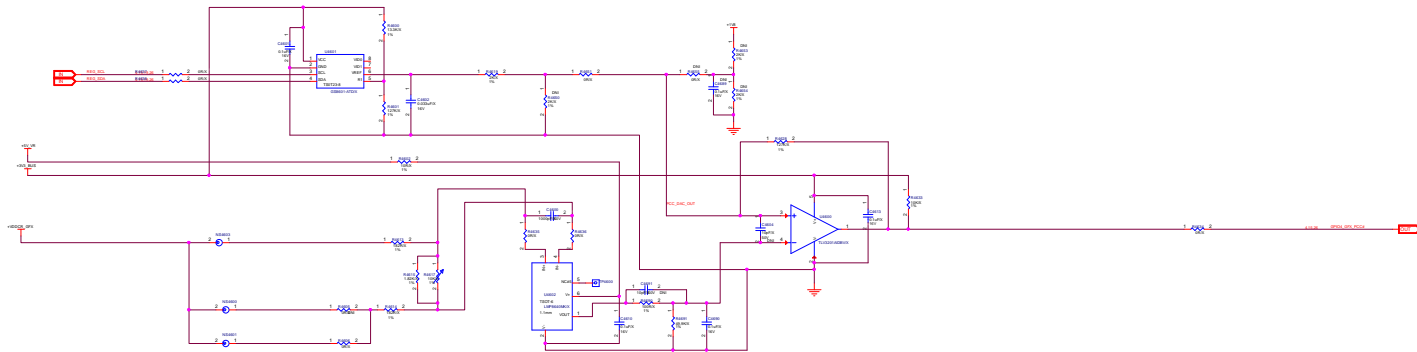


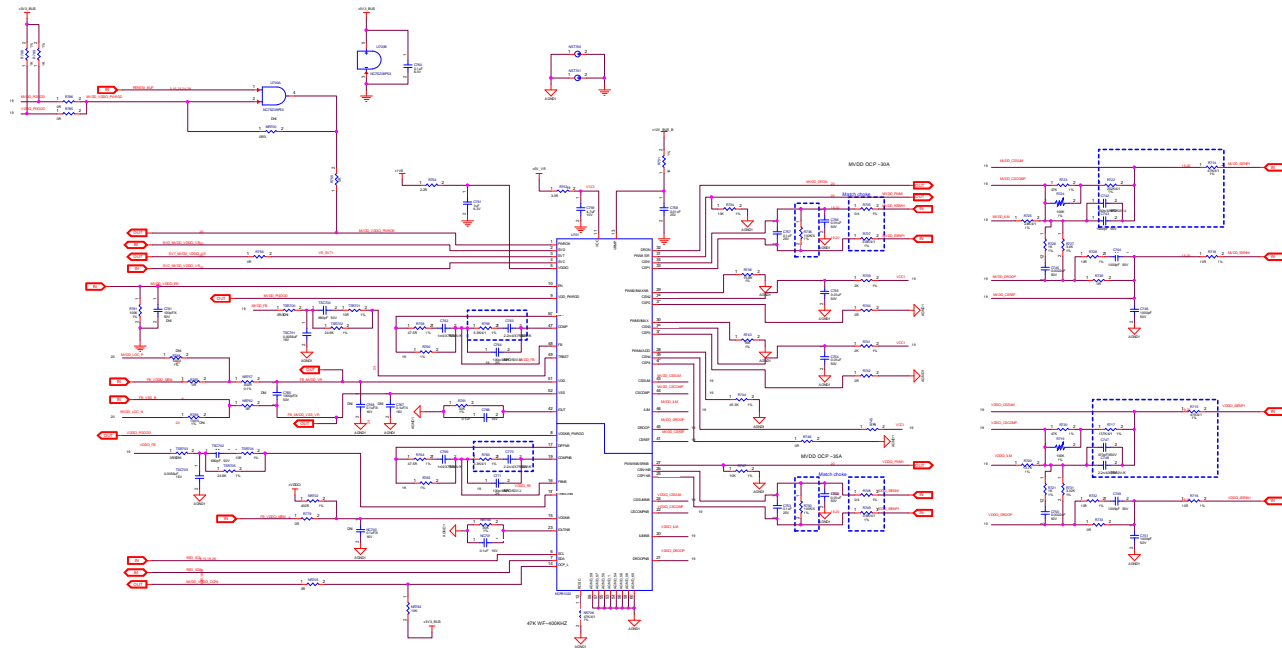
PLACE NEXT TO PHASE 3 HALF BRIDGE

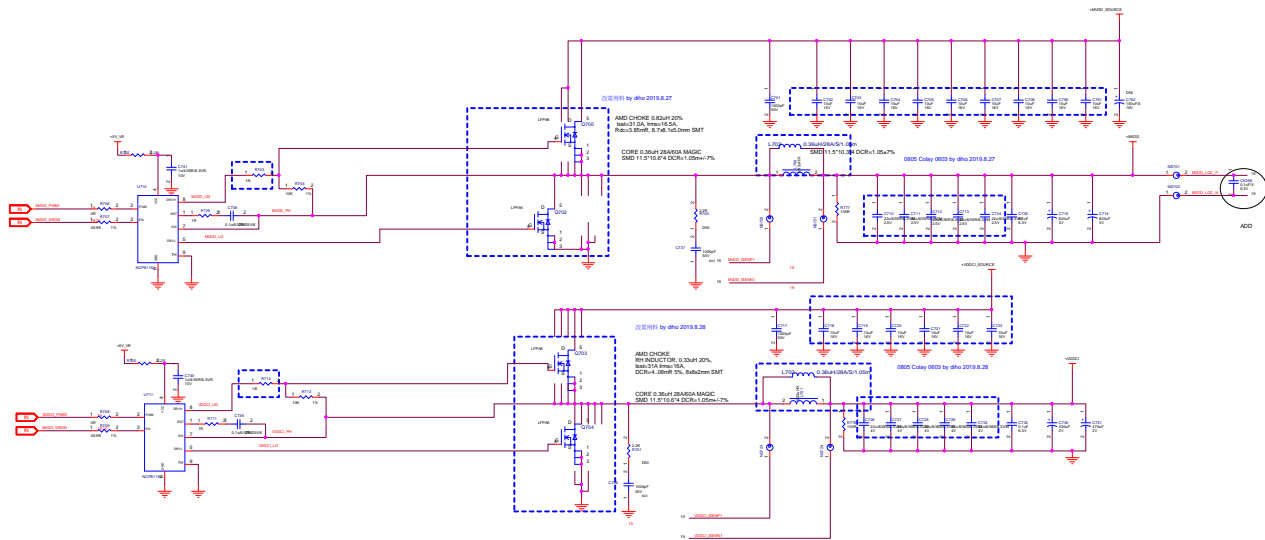


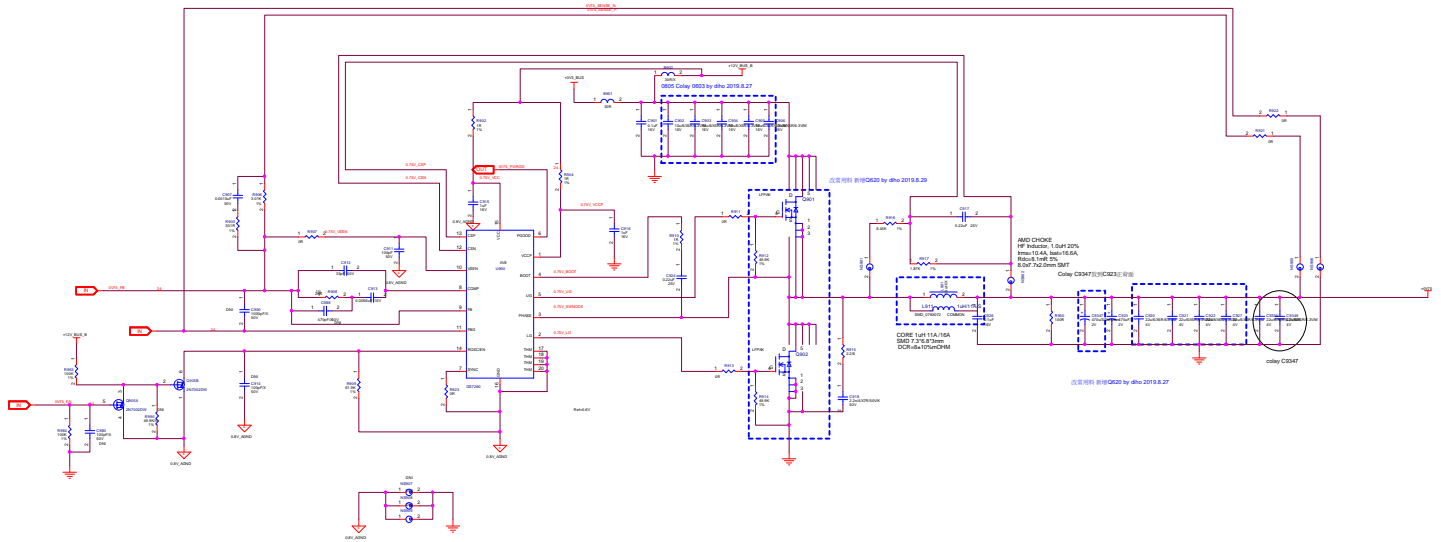


1.8V REFERENCE DAC
 INITIAL VOLTAGE = 1.8V
 I2C ADDRESS (7bit) = 0x530A6

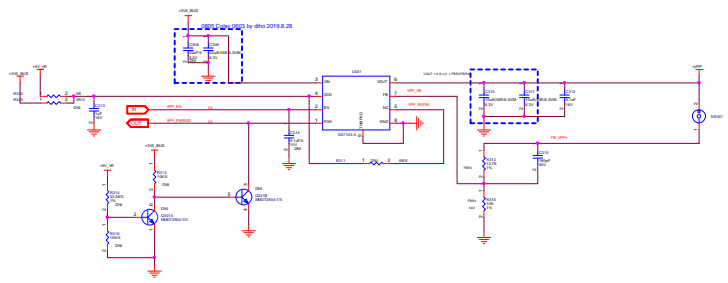
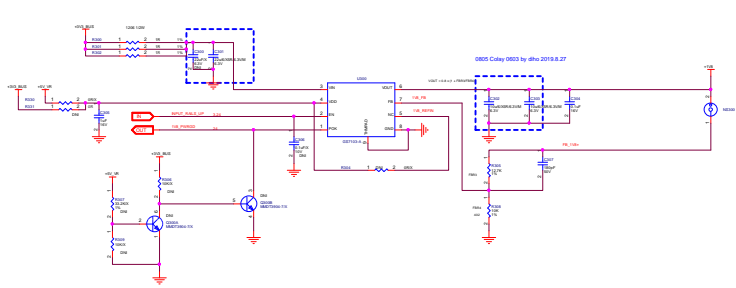




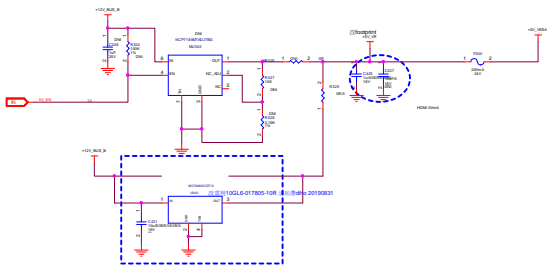


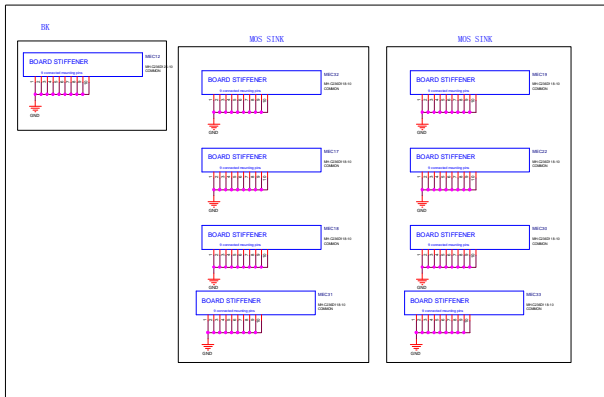
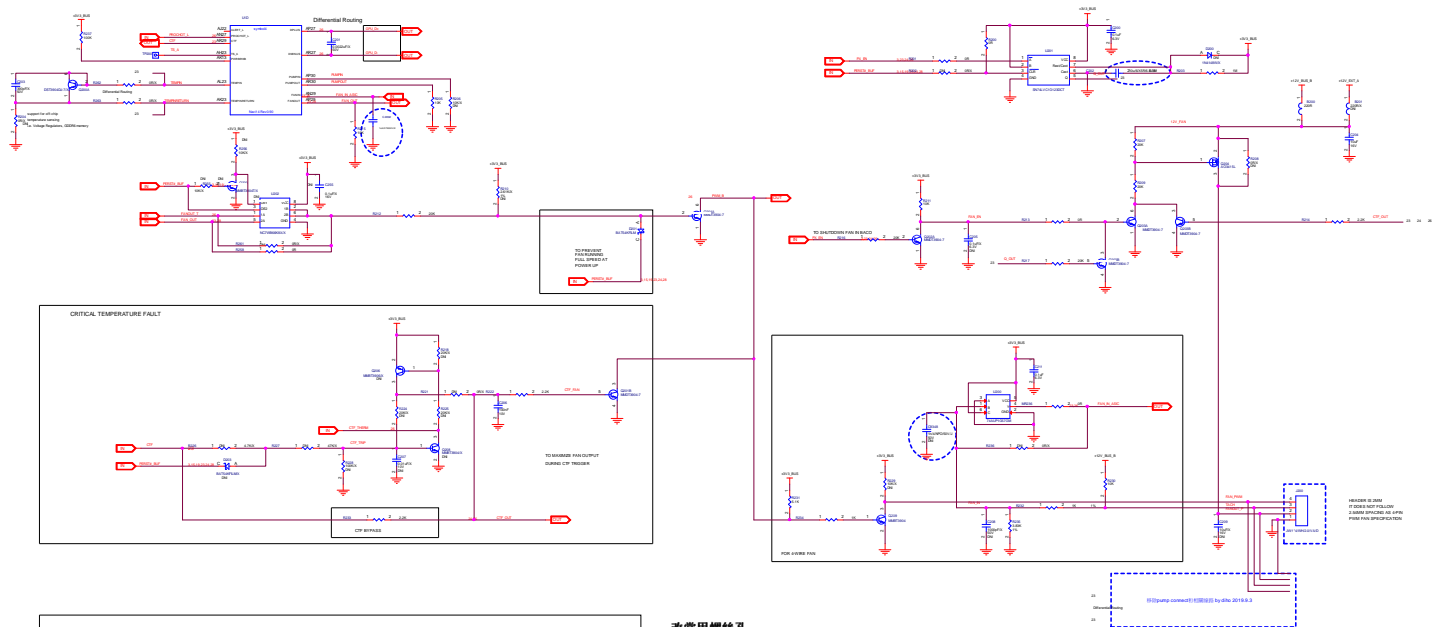


GIGABYTE™

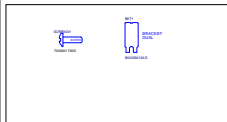


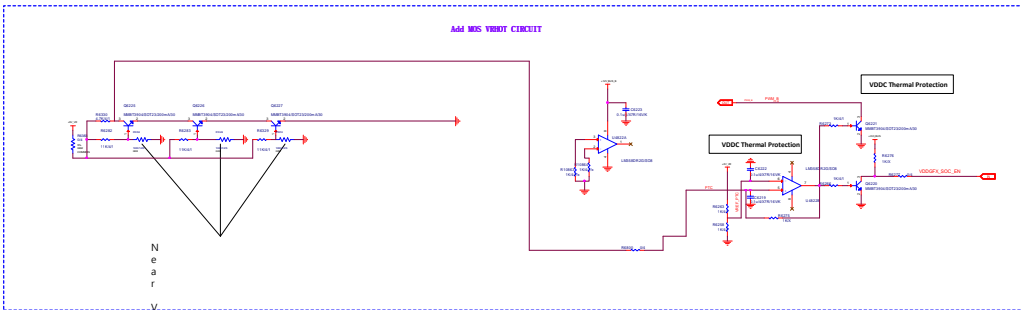
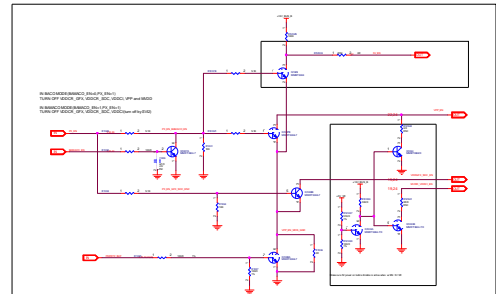
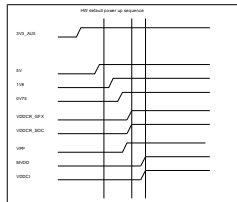
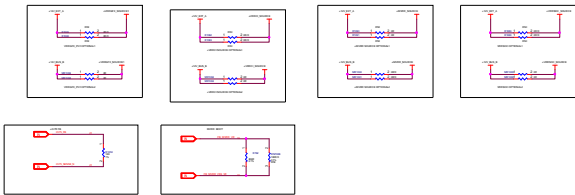
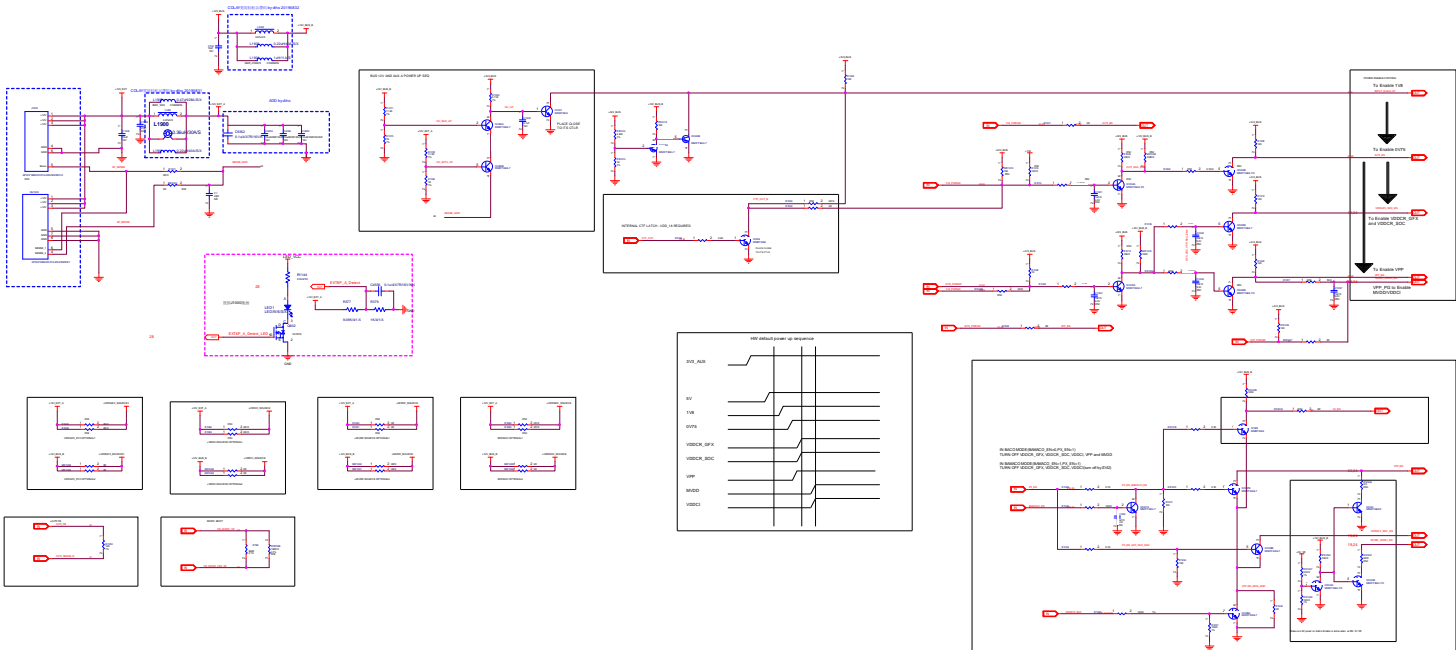
5V REGULATOR





改常用螺絲孔





N
e
a
r

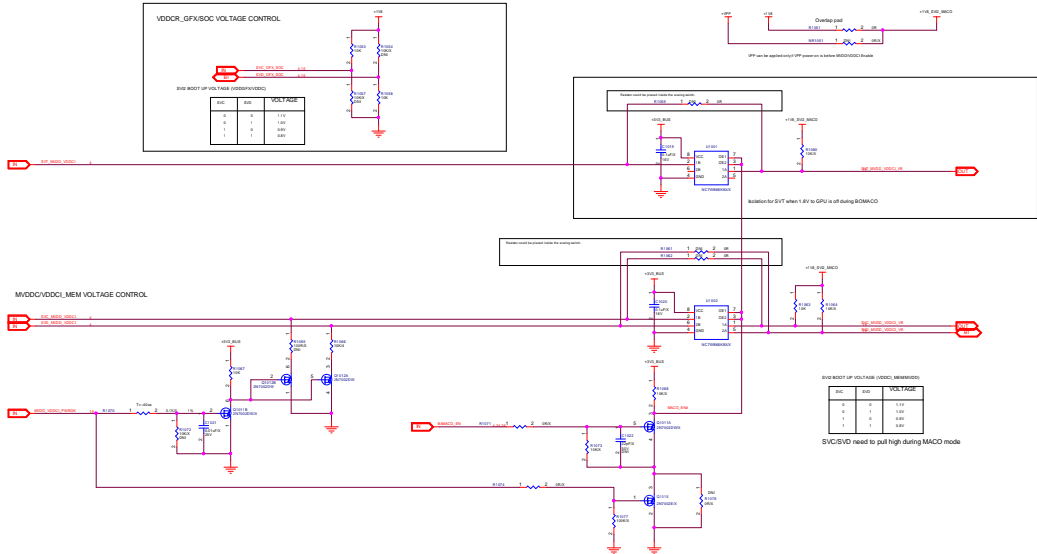
V
D
D
C

e
a
c
h

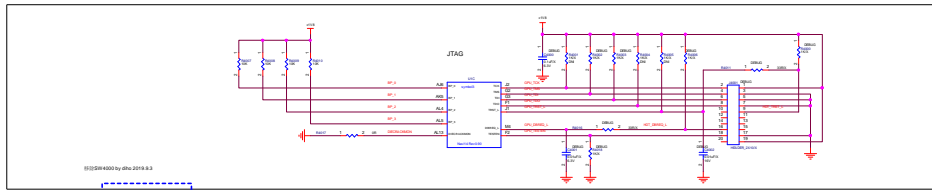
h
i
g
h

s
i
d
e

M
O
S



(29) DEBUG CIRCUIT



ISSUE 4/2019 by dhu 2019.8.3

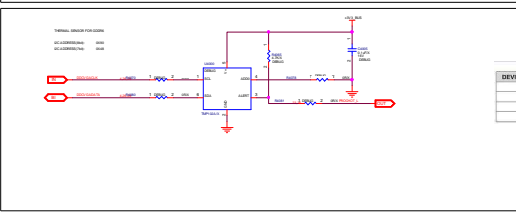
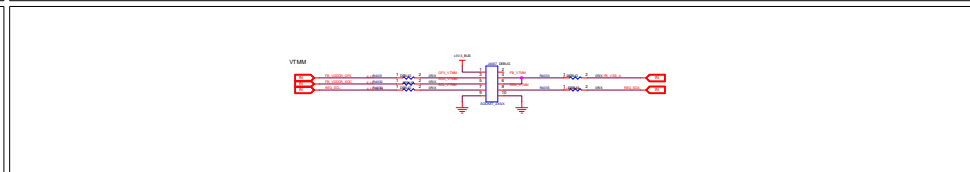
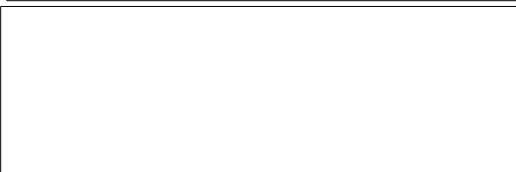
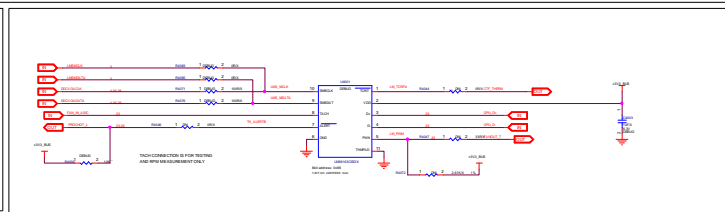
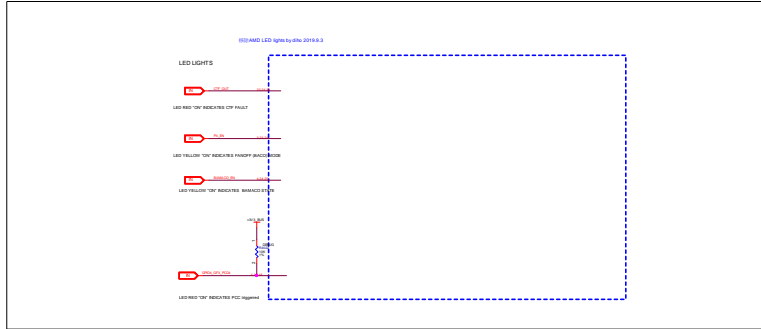


Table 4: Address Pin and Slave Addresses

DEVICE TWO-WIRE ADDRESS	AI0 PIN CONNECTION
1001000	Ground
1001001	VCC
1001010	SDA
1001011	SCL



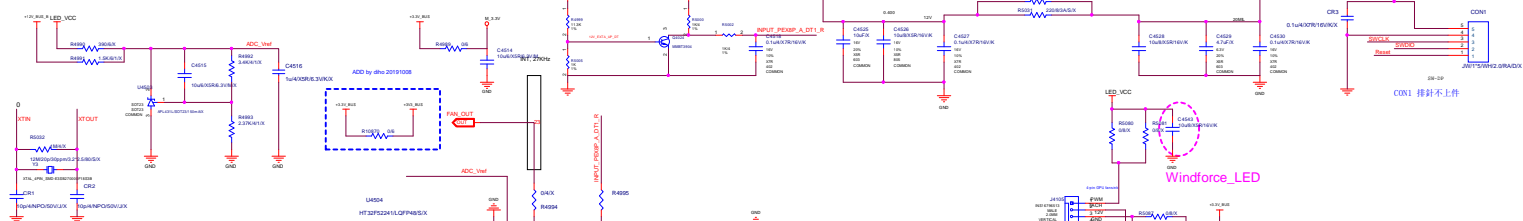
LM35H43 FOR BACKUP THERMAL CONTROL



1.00 004 80000004 80000004
Change of 27 (27) to 100 (100) in the
1.00 004 80000004 80000004
Add of the 27 (27) to 100 (100) in the
Add of the 27 (27) to 100 (100) in the
Add of the 27 (27) to 100 (100) in the
Change of 27 (27) to 100 (100) in the

GIGABYTE®		
Revision History		
Rev	Description	Date
1.0	GV-R55XT0C-4GD	1.0
Rev	Created: December 18, 2019	Page 37 of 49

ADD Page35: LED Control MCU circuit by diho. su 20190619



FAN Stop LED

